

CVC470H

Color Camera



Your Car Vision Model CVC470H Mobile Safety Camera offers a wide field of view in a compact design. A durable, multi-sealed, alloy enclosure guarantees watertight performance for your most demanding applications.

Featuring a compact, light weight design, wide field of view with distortion correction, superior low light sensitivity and WDR, the CVC470H continues INTEC's long history of quality and innovation.

The CVC470H features an internal heater to aid visibility in colder climates, switchable image orientation and offers an IP68 waterproof rating.

As a global leader, INTEC's technology, innovation and forward thinking continues to set global standards for quality, reliability and performance in the industry.

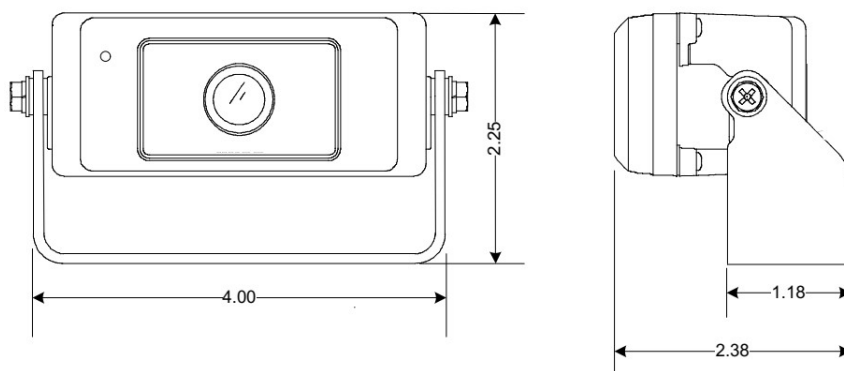
Our products are backed by unparalleled warranties and a dedicated engineering and sales team ready to solve your mobile video safety system requirements.

For additional information call (west) 800.468.3254 or (east) 800.522.5989



Features Include:

- ✓ **Thermostatically Controlled Heater**
- ✓ **Flush Mountable**
- ✓ **Wide Field of View**
- ✓ **FCC Compliant**
- ✓ **1-Year Warranty**



Specifications

Pick Up Element
High Sensitivity BICMOS

Pixel Count
1280 (H) x 960 (V)

Lens
2.3 mm F2.5 HR-IRC

Field of View—H x V x D
123x 95° x 154°

Minimum Illumination
0.05 Lux Color
0.02 Lux Monochrome
Auto Shutter-less Day/Night Function
Wide Dynamic Range

Shock & Vibration
10G @ 2000 cpm

Operating Temp (without heater)
-22° to +185° F
-30° to +85° C

Weight
Less than 1 Pound

Dimensions w/Bracket W x H x D
4.45" x 2.25" x 2.38"

Color
Metallic Silver

Warranty
One Year Parts & Labor

Options
Lens (consult INTEC for specific FOV options)
Finish—Chrome, special paint
Flush Mount Bezel

Compatibility
CVP Series Cables
CVD Series Displays
CVS Series Controllers

Corporate: 23301 Vista Grande, Laguna Hills, CA 92653 | Eastern: 4256 State Route 51 North, Rostraver Township, PA 15012